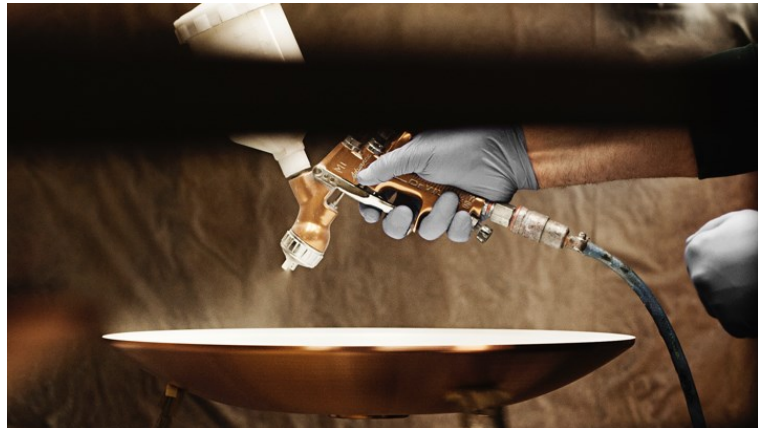


# PH 3½-2½ Glass Table

The fixture is designed based on the principle of a reflective three-shade system, which directs the majority of the light downwards. The shades are made of mouth-blown opal three-layer glass, which is glossy on top and sandblasted matt on the underside, giving a soft and diffuse light distribution.



## Product info

### Mounting

Cable type: Plastic cord with plug. Cable length: 2.5m. Light control: In-line switch on cord.

### Finish

Brass metallised, black metallised or high lustre chrome plated. White opal glass.

### Materials

Shades: Mouth-blown white opal glass. Top plate: Brass metallised, black metallised or high lustre chrome plated, spun brass. Base and stem: Brass metallised, black metallised or high lustre chrome plated, brass.

### Sizes and weights

Width x Height x Length (mm) | 330 x 450 x 330 Max 3.0 kg

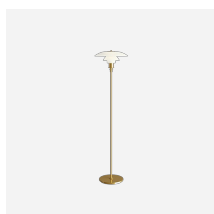
### Class

Ingress protection IP20. Electric shock protection I w/o ground.

### Light source

1x60W E14

## Product family



PH 3½-2½ Floor



PH 3½-3 Pendant



PH 3½-2½ Table



PH 3½-3 Glass Pendant



## Product variants

Colour	Cable type	Light source
● Black metallised	BLK PL	1x60W E14
● Brass metallised	WHT PL	
● High lustre chrome plated		

# Design

Poul Henningsen

# Weight

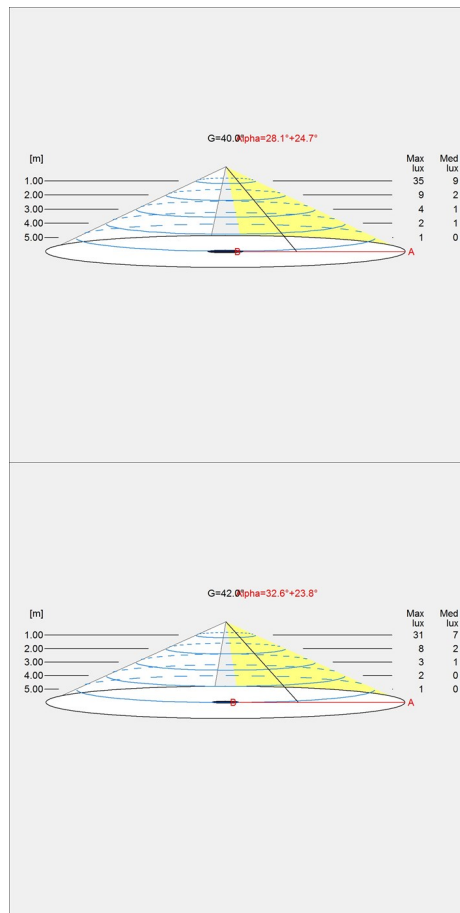
Min: 2.922 kg Max: 2.98 kg

# Finish

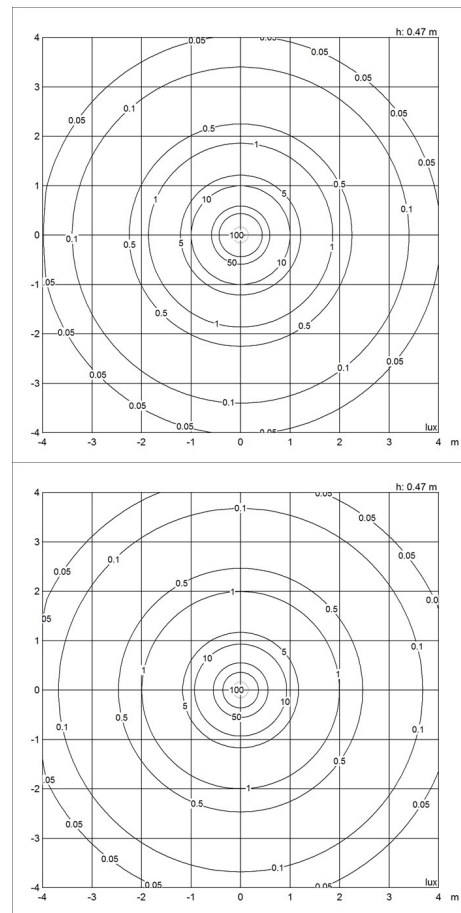
Black metallised, Brass metallised, High lustre chrome plated

# Light distribution diagrams

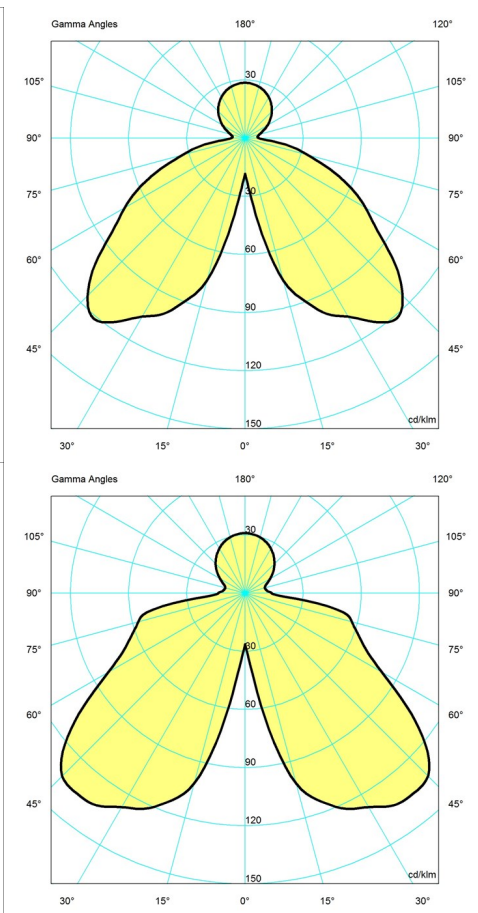
## Cartesian



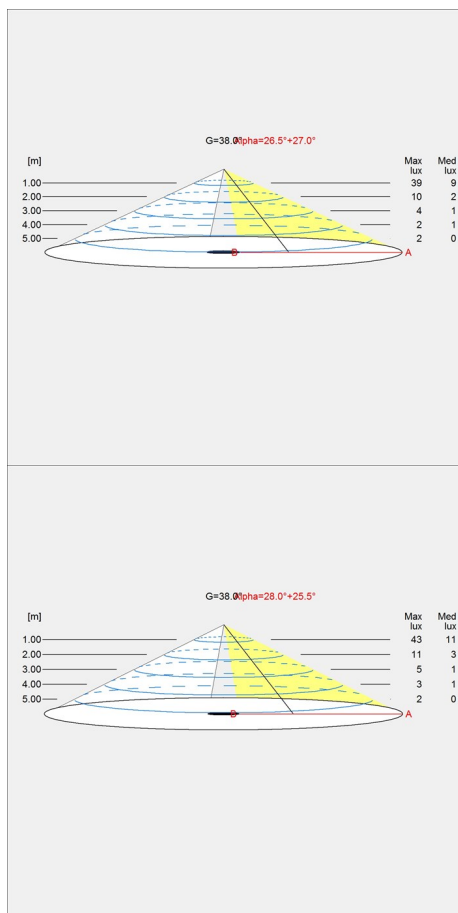
## Isolux



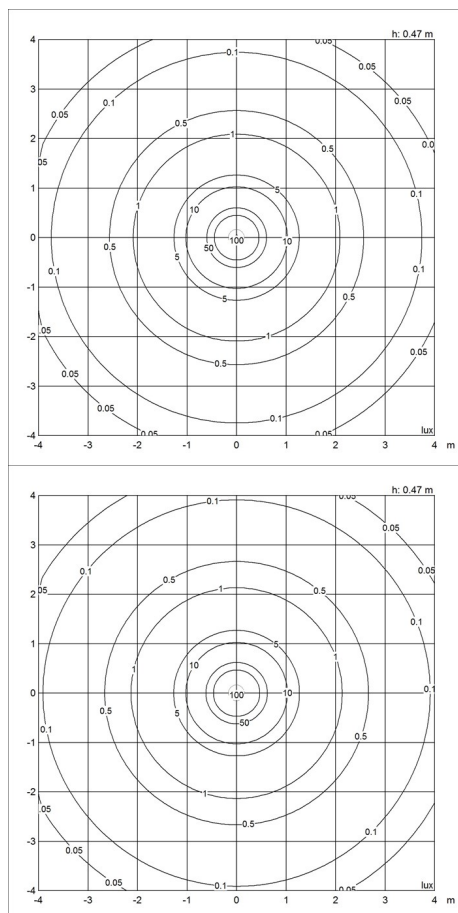
## Polar



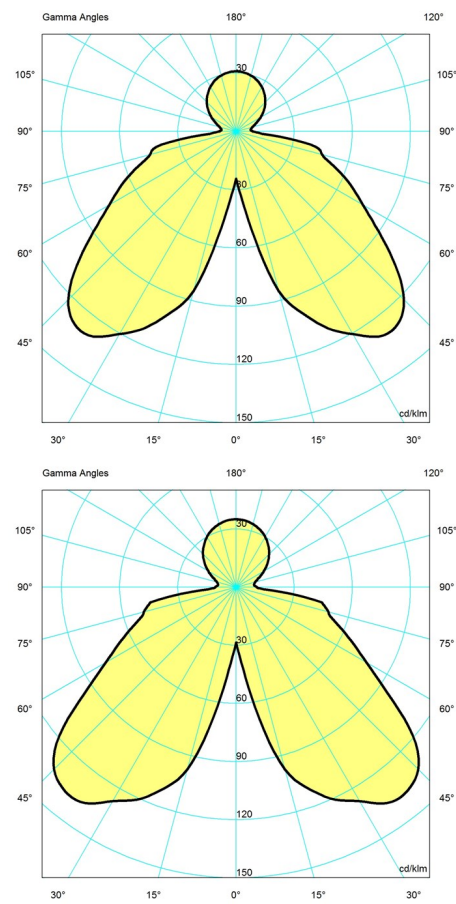
## Cartesian



## Isolux



## Polar



## Spare parts &amp; accessories

## Product

Finger screw SS M3X12 (3pcs) lower  
 Finger screw SS M2X8 (3pcs) middle  
 Finger screw brass raw M2X8 (3pcs)middle  
 Finger screw brass raw M3X12 (3pcs)lower  
 PH 3½-2½ glass middle shade  
 PH 3½-2½ glass lower shade  
 PH 3½ glass Floor/Table top shade

## Variant number

5744610528  
 5744611116  
 5744611271  
 5744611284  
 5744162241  
 5744162254  
 5744162267